



USER MANUAL



2.1 MULTIMEDIA SPEAKER SYSTEM

M-355

Congratulations on your purchase of the REAL-EL speaker system!

COPYRIGHT

© 2024. ENEL GROUP OU.

This Manual and information contained in are copyrighted. All rights reserved.

TRADEMARKS

All trademarks are the property of their legal holders.

CONTENTS

1. BUYER RECOMMENDATIONS	1
2. PACKAGE CONTENTS	2
3. SAFETY PRECAUTIONS	2
4. TECHNICAL DESCRIPTION	2
5. CONNECTION	5
6. OPERATION MODES.....	5
7. TROUBLESHOOTING	7
8. TECHNICAL SPECIFICATIONS	7

1. BUYER RECOMMENDATIONS

- Unpack the device carefully. Make sure there are no accessories left in the box. Check up the device for damage; if the product was damaged during transportation, address the firm, which carried out the delivery; if the product functions incorrectly, address the dealer at once.
- Check up the package contents and availability of the warranty card. Make sure the warranty card has a shop stamp, a legible signature or the seller's stamp and purchase date, and the goods number corresponds to that in the warranty card. Remember: in case of warranty card loss or discrepancy of numbers you forfeit the right for warranty repairs.
- Do not switch on the speaker system immediately after you bring it into a room from environment with negative temperature! After unpacking, the speaker system should be kept in conditions of room temperature for at least 4 hours.
- Before installing and using the speaker system, read this Manual carefully and keep it for future reference.

2. PACKAGE CONTENTS

- Subwoofer – 1 pc
- Satellites – 2 pcs
- Remote control (RC) – 1 pc
- Signal cable – 1 pc
- Antenna wire – 1 pc
- User manual – 1 pc
- Warranty card – 1 pc

3. SAFETY PRECAUTIONS

- Do not open Multimedia Speaker System (MSS) and do not perform repairs by yourself. Service and repairs should be performed by qualified specialists in an authorized service center only. The list of authorized service centers is available at www.real-el.com
- Do not put foreign objects inside the holes of the MSS.
- Protect the MSS from high humidity, water and dust.
- Protect the MSS from heating: do not place it closer heat source. Do not expose it to direct sunlight.
- Do not place any open flame sources on or close to MSS.
- Do not use any chemical agents for cleaning. Clean it with dry soft cloth only.
- In case of MSS does not work properly, power cable must be disconnected. Please contact place of purchase or service center.

4. TECHNICAL DESCRIPTION

REAL-EL M-355 2.1 Multimedia Speaker System (MSS) is designed to play music and sound games, movies, etc. The MSS enabling to connect to virtual to any audio source (CD/DVD-player, TV, phone, PC, etc.) without using an additional power amplifier. The MSS has a built-in FM radio, Bluetooth module and audio files player USB flash, SD card.

Features

- Compatibility with various sound sources
- Audio playback via Bluetooth
- USB flash, SD card audio player
- FM radio
- AUX inputs
- Remote control
- Wooden cabinet of the subwoofer and satellites

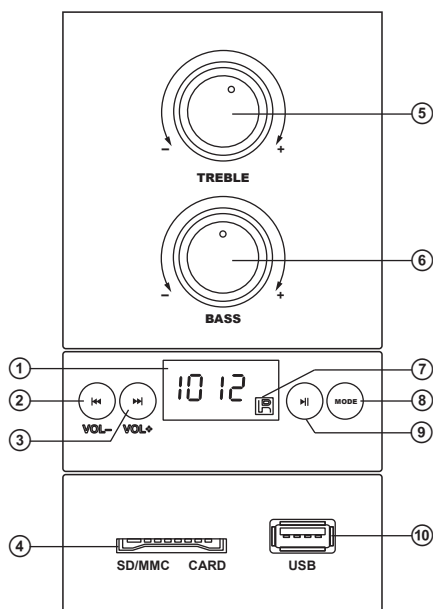


Fig. 1.
Subwoofer control panel

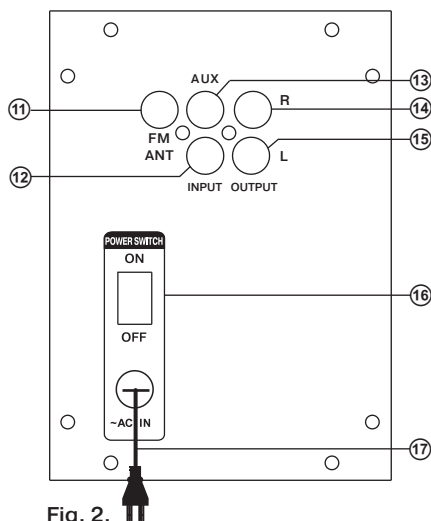


Fig. 2.
Subwoofer rear panel

Subwoofer control panels:

- ① LED display.
- ② ◀◀/VOL- : Previous track (pressed long in the Player mode);
Previous station (pressed long in the Radio mode);
Volume down (pressed short).
- ③ ▶▶/VOL+ : Next track (pressed long in the Player mode);
Next station (pressed long in the Radio mode);
Volume up (pressed short).
- ④ SD/MMC: Slot for SD/MMC cards.
- ⑤ TREBLE-/+: High frequency level adjustment.
- ⑥ BASS-/+: Bass level up/down.
- ⑦ IR: Infrared sensor.
- ⑧ MODE : AUX / FM / BT / MP3.
- ⑨ Play/Pause (pressed short in the Player mode);
Start/Stop auto scan (pressed long in the Radio mode);
Forced disconnection device with Bluetooth (pressed long).
- ⑩ USB port. *

- ⑪ FM ANT: Radio antenna input jack.
- ⑫ INPUT L: AUX sound source left channel input jack.
- ⑬ INPUT R: AUX sound source right channel input jack.
- ⑭ OUTPUT R: Right speaker output jack.
- ⑮ OUTPUT L: Left speaker output jack.
- ⑯ ON/OFF : Power switch.
- ⑰ Power cord.

***Attention! USB output is for USB flash connection only!
Do not charge any device using this port otherwise it may be damaged!**

Remote control

- ① MUTE: Mute the volume.
- ② USB/SD: MP3 player mode switch-on button.
- ③ BT: Bluetooth mode on button.
- ④ TUNE+/- : Manual band scanning (in the Radio mode).
- ⑤ ◀◀ CH- / ▶▶ CH+ : Previous track (pressed short in the Player mode); Previous station (pressed short in the Radio mode); Rewind the track in USB/SD mode (pressed long).
- ⑥ EQ+/-: Equalizer mode selection button (in the Player mode).
- ⑦ 0-9: Numeric pad for entering track number.
- ⑧ Switch playback mode (ALL, ONE, RANDOM).
- ⑨ FM: Radio mode.
- ⑩ AUX input selection button.
- ⑪ ▶||: Play/Pause (in the Player mode); Disconnection of Bluetooth (pressed long).
- ⑫ ▶▶ CH+ / ◀◀ CH- : Next track (pressed short in the Player mode); Next station (pressed short in the Radio mode); Rewind the track in USB/SD mode (pressed long).
- ⑬ AUTO: Start auto scanning and memorizing stations in FM band (in the Radio mode).
- ⑭ VOL +/-: Volume level control.
- ⑮ SAVE: Memorize selected frequency (in the Radio mode).
- ⑯ REPEAT: Repeat settings.

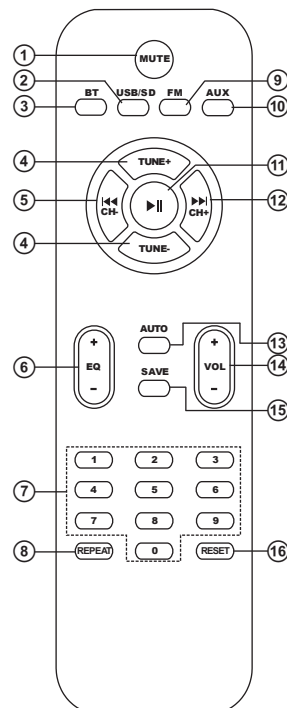


Fig. 3. Remote control

5. CONNECTION

Connection MSS

M-355 speaker system can be connected to most of audio devices: TV, PCs, laptops, etc. (see connection diagram in Fig. 4).

- Before making any connections, make sure the MSS is off and unplugged. Then connect satellites to the subwoofer OUTPUT L/R jacks using built-in audio cables. Connect the right satellite to the subwoofer OUTPUT R and the left satellite – to the OUTPUT L (see connection diagram in Fig. 4).

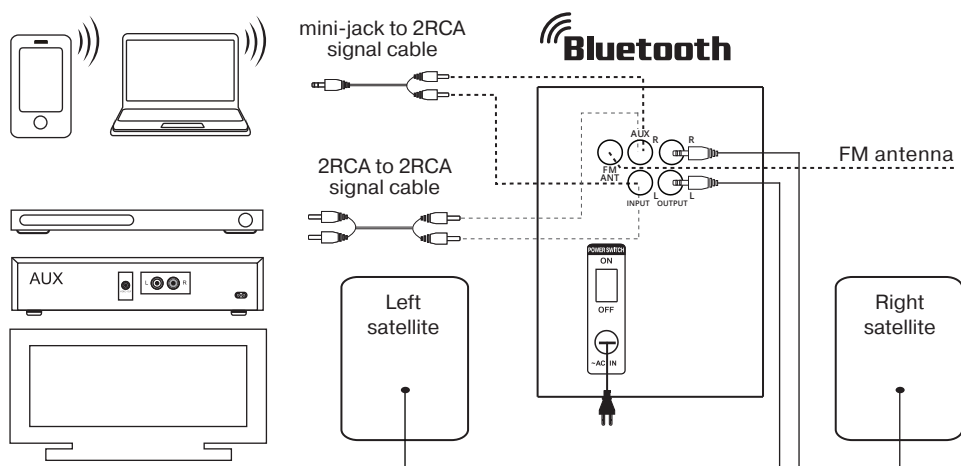


Fig. 4. Connection diagram

6. OPERATION MODES

Player Mode

- The system start Player mode automatically when a storage (USB flash or SD/MMC card) is connected to corresponding ports; or press MODE button on the front panel of the subwoofer or USB/SD ② on the remote control. The playback will start automatically.
- To select a track, you can directly enter its number on the remote control using the numeric pad buttons.

Bluetooth mode

- Select the Bluetooth mode using MODE button on the front panel of the subwoofer or BT button on the remote control. After 2-3 seconds the speaker system starts the search mode.
- Activate Bluetooth search mode of your device (phone, notebook, smartphone, etc.). «REAL-EL M-355» will be displayed which should be connected to*.
- Indicator light continuously when connection is successful. If there is no connection, indicator will blink. In this case the system should be switched over to the search mode once again (turn off and turn on Bluetooth mode)**.

* You might have to enter "0000" code to connect some models via Bluetooth.

** If an item has been already registered in the device list of sources, then the second search mode activation is not needed. Choose only the item name and the "connect" command on the source.

FM Mode

- Use button MODE on the remote control to enter the Tuner mode.
- Press and hold AUTO on the remote control to auto scan the stations.
- If preset radio stations are available in the memory, you can switch from one to another buttons ⑤ and ⑫ on the remote control. You can also enter the frequency or the number of the preset station using numeric pad buttons ① on the remote control.

AUX/PC Mode

- Press MODE button on the front panel of the subwoofer or AUX button on the remote control to switch to the AUX mode. The display will show AUX inscription.

MUTE Mode

- To enter the MUTE mode, press MUTE button on the remote control. To quit the MUTE mode press the MUTE button repeatedly or press one of the buttons VOL +/- on the remote control.

Note. Due to the constant development of the software, the actual MSS operation may differ from described in this Manual. The most recent version of the Manual is available at www.real-el.com

7. TROUBLESHOOTING

Problem	Cause	Solution
The MSS does not turn on.	The MSS isn't connected to a mains outlet.	Check the connection.
	The power switch is off.	Turn on the switch.
No sound or the sound is too quiet.	Volume level is set at minimum value.	Adjust the volume control knob.
	Improperly connected audio source.	Connect the audio sources correctly.
Distortion of sound.	Large amplitude of the input signal.	Turn down the source volume and the MSS volume.
The remote control is not working.	The batteries are discharged.	Replace the batteries with new ones.

If none of the above methods can solve the problem, please seek professional advice at your nearest service center. Never attempt to repair the product yourself.

8. SPECIFICATION

Parameter	Value
Output power (RMS) subwoofer satellites	44 (20 + 2 × 12) W 20 W 2 × 12 W
Frequency range subwoofer satellites	40 – 150 Hz 125 – 22 000 Hz
Speaker diameter: subwoofer satellites	Ø 105 mm Ø 80 mm
Connection types	Bluetooth / AUX / USB / SD
Bluetooth operation distance	up to 10 m
Voltage supply	~ 230/50 V/Hz
Subwoofer dimensions	165 × 239 × 261 mm
Dimensions one satellite	95 × 152 × 94 mm
Case material	wooden (MDF)
Weight	4 kg

Notes:

- Technical specifications given in this table are supplemental information and cannot give occasion to claims.
- Technical specifications and package contents are subject to change without notice due to the improvement of REAL-EL production.



Manufacturer: ENEL GROUP OU, Harju maakond, Rae vald, Jüri alevik, Aruküla tee 55a, 75301, Estonia.
© Registered Trademark of ENEL GROUP OU. Estonia.